

QJ370 MULTIPLE OUTLET NOZZLE BODY

The QJ370 multiple outlet nozzle body features a compact design to fit onto a variety of sprayers and boom designs. It has positive indexing that prevents accidental rotation and provides feedback to the operator. Optimized internal passages provide high flow rates for a wide range of ground speeds and application rates.

Features & Benefits:

- Choice of 3 or 5 outlet turrets with Quick TeeJet® system for fast, easy installation and selection of spray tips

- Wet boom model fits 1/2, 3/4 or 1 in pipe; 20mm or 25mm tubing

- Dry boom model fits 1/2, 3/4, or 1 in hose with choice of single or double hose barb

- Maximum Operating Pressure: 300 psi (20 bar)

- Standard Check Valve Opening Pressure: 10 psi (0.69 bar), other pressures available including: 2, 5, 8, & 20 psi. (0.14, 0.34, 0.55, & 1.4 bar)

- QJ373 Flow Rating:

- 2.6 GPM (9.8 l/min) at 5 psi (0.35 bar) pressure drop

- 3.6 GPM (13.6 l/min) at 10 psi (0.7 bar) pressure drop

- QJ375 Flow Rating:

- 2.4 GPM (9.1 l/min) at 5 psi (0.35 bar) pressure drop

- 3.4 GPM (12.9 l/min) at 10 psi (0.7 bar) pressure drop

- Wet boom version requires 3/8 in (9.5 mm) diameter hole in pipe or tubing

- Notched inlet tube allows for more complete boom drainage and elimination of sediment

- Wetted parts constructed of Nylon, acetal and Viton® for excellent chemical resistance

- Corrosion resistant stainless steel hardware

- Hinged upper clamp, stainless steel screw, and captured nut for fast, easy assembly

- Dry boom versions and 3/4 in wet boom bodies feature mounting lug for use with Vari-Spacing clamps

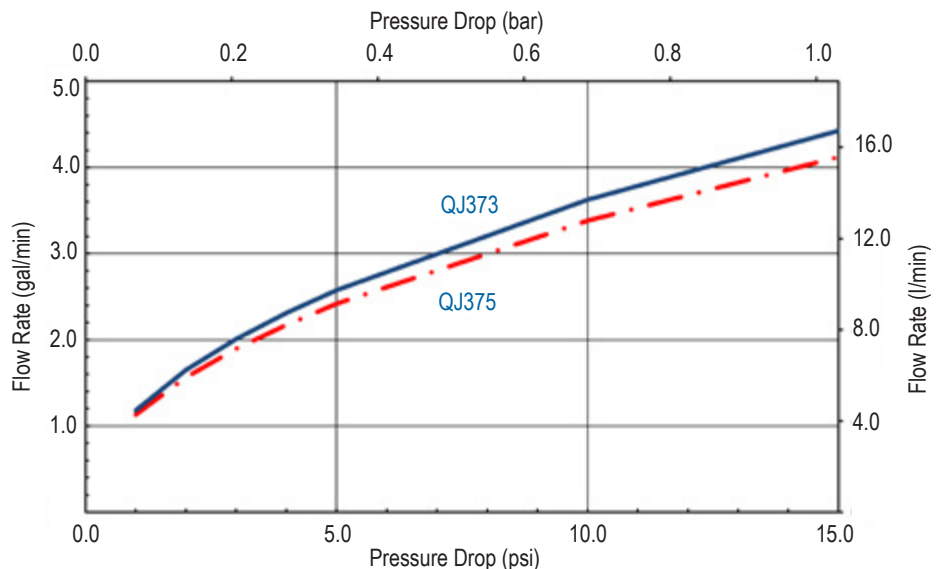
- Compatible with a wide range of ChemSaver® shutoffs



QJ375 NOZZLE BODY



QJ373 NOZZLE BODY



QJ370 PERFORMANCE CURVE

QJ370 MULTIPLE OUTLET NOZZLE BODY

How to Order QJ370:

Q J 3 7 3 - 7 5 0 - 2 - NYB

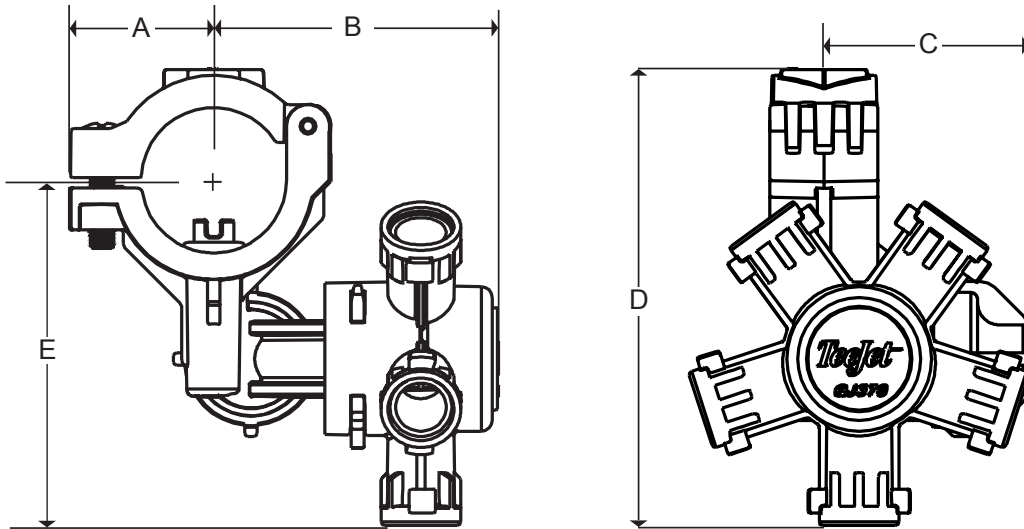
QUANTITY OF OUTLETS	
3	3-Outlet Turret
5	5-Outlet Turret

PIPE/HOSE SIZE	
20mm	20 mm Tubing
25mm	25 mm Tubing
1/2	1/2" Pipe
3/4	3/4" Pipe
1	1" Pipe
500	1/2" Hose Barb
750	3/4" Hose Barb
1000	1" Hose Barb

DRY BOOM ORIENTATION	
1	Single Hose Barb (Left Orientation)
1R	Single Hose Barb (Right Orientation)
2	Double Hose Barb
Blank	Wet Boom

Note: Hose barb orientation is determined with turret facing viewer.

QJ375 WET BOOM



FITS	A	B	C	D	E
1" Pipe	1.32" (34mm)	2.64" (67mm)	1.91" (49mm)	4.22" (107mm)	3.19" (81mm)
3/4" Pipe *	1.20" (31mm)			3.96" (101mm)	3.06" (78mm)
1/2" Pipe	1.12" (28mm)			3.76" (95mm)	2.96" (75mm)
25 mm O.D. Tubing	1.20" (31mm)			3.96" (101mm)	3.06" (78mm)
20 mm O.D. Tubing	1.07" (27mm)			3.70" (94mm)	2.93" (74mm)

Note: All dimensions are approximate.

* All dry boom versions based on 3/4" size

